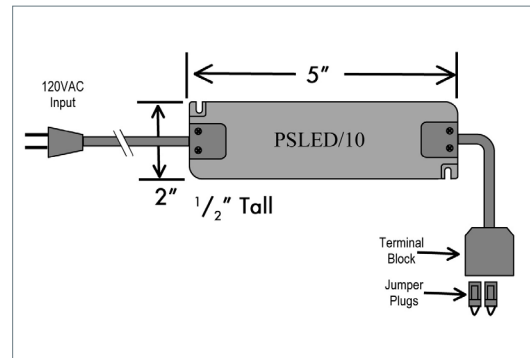
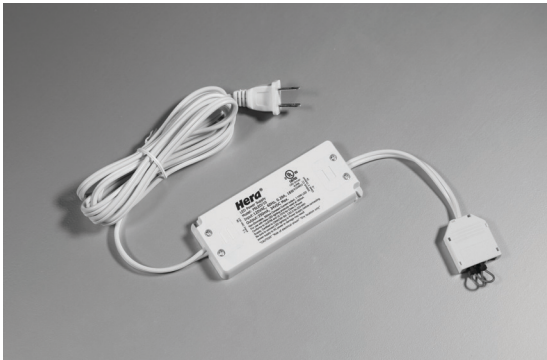


LED Power Supply, 10 W

Constant Current, 350 mA

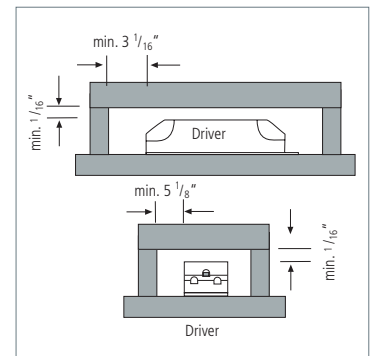


Electronic Power Supply For 1-10 W High-Power LEDs

New streamlined, small electronic power supply for up to 10 W of high-power LEDs.

Product-Features

- 120 VAC, 60 Hz
- 350 mA constant current
- Overload protection
- Overheat protection
- Short-circuit protection
- Soft start for maximum LED life
- 79" plug-in power cord
- Attached terminal block for 3 x LED spotlights.
- Additional terminal blocks available
- Driver not dimmable



What you'll need to buy

Description	Code No.
Constant Current Driver 10 Watt, 350 mA	PSLED/10
Connecting Cable 36"	LEDCC36
Connecting Cable 72"	LEDCC72
Additional Terminal Block	TBLED/B
Power Control Module	PCM
PCM Switch with Cable	PCMSWITCH/R