

# ARF-LED

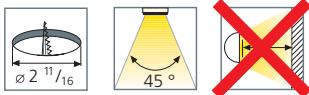
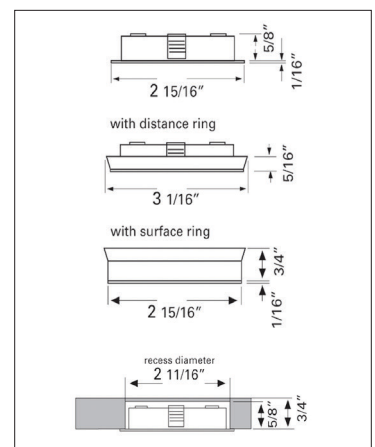
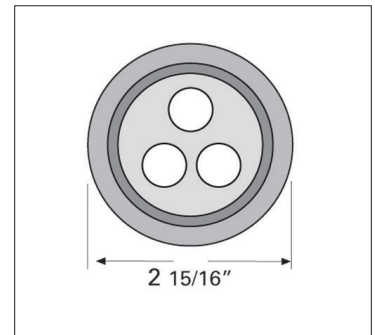


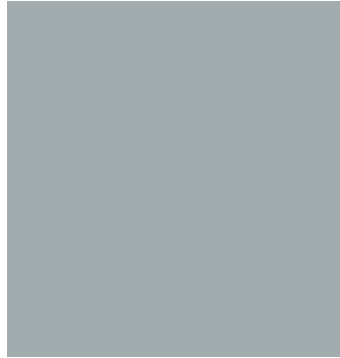
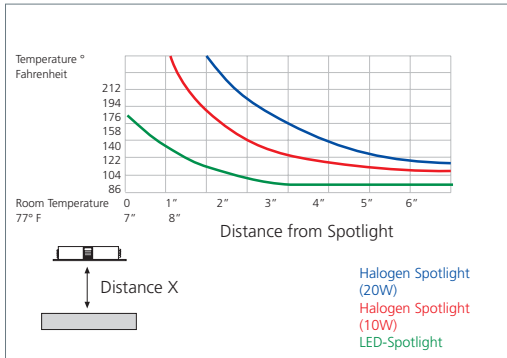
## Low-Profile Recessed Or Surface Mounted LED Spotlight

This friction fit spotlight is designed for installation in kitchen cabinets, displays, furniture and inside closets. It uses the latest generation It offers an equivalent light output to a 20 W halogen spotlight at only a fraction of the energy consumption (3 W). Virtually no heat emission and no ultraviolet radiation guarantee that your products won't be damaged. 60,000 hrs. of usable life make lamp changes a thing of the past.

## Product-Features

- Only 3 Watt power consumption (3 x 1 W LEDs)
- Stocked in 3000 K and 5500 K
- Available from 2700 K to 6500 K by special order
- Finishes available: White, Black, Chrome, Stainless Steel and Gold
- Good CRI > 85
- Attached 69" connecting cable with plug-in connector
- Special accessories available:
  - DR13-Spacer ring to reduce recessed depth
  - DI13-Surface mount ring
- To be used with 350 mA Constant Current Driver
- Additional LED connecting cables are available in 36" and 72"
- Dimmable with available accessories





## What you'll need to buy

### Spotlights

#### ARF-LED

##### 3000 K

Finish	Lumens	Code No.
White	230	ARFLED3200WH
Black	230	ARFLED3200BL
Chrome	230	ARFLED3200CH
Gold	230	ARFLED3200GO
Stainless Steel	230	ARFLED3200SS

##### 5500K

Finish	Lumens	Code No.
White	230	ARFLED5500WH
Black	230	ARFLED5500BL
Chrome	230	ARFLED5500CH
Gold	230	ARFLED5500GO
Stainless Steel	230	ARFLED5500SS

### LED Power Supply (see pages 55-56)

Description	Code No.
Constant Current Driver 10 Watt	PSLED/10
Dimmable Constant Current Driver 18 Watt	PSLED/DIM/S
LED Dimmer Controller	DIMCONTROL/S

### Optional Accessories

#### Surface Mount Rings

Finish	Code No.
White	DI13WH
Black	DI13BL
Chrome	DI13CH
Gold	DI13GO
Stainless Steel	DI13SS

#### Cables

Description	Code No.
Connecting Cable 36"	LEDCC36
Connecting Cable 72"	LEDCC72