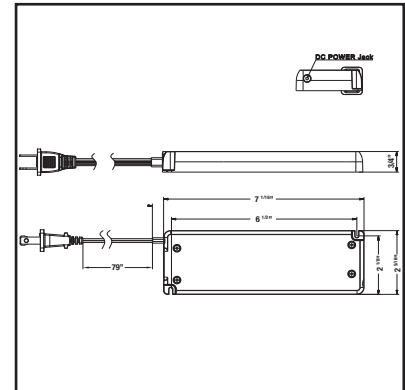


daisyTM Driver, 30 W

NEW

Constant Voltage 24 V



24 VDC Electronic daisy Driver

Constant voltage electronic driver for up to 30 W of LEDs. Now with integrated connector to allow for easy daisy-chaining. Interconnect up to a max of 14 drivers.

Product-Features

- Input: 100 - 120 VAC, 50/60 HZ, 0.55 A
- Output: 24 VDC, 1.25 A max. SELV/UL8750 Class 2, CAN/CSA C22.2 No. 250.13
- Load: 1 - 30 W, 24 VDC LED
- Power Factor: $\geq 0.9 \lambda$
- Ambient operating temperature: $-20^{\circ}\text{C} \sim 45^{\circ}\text{C}$
- Non-dimmable input, output dimming accessories available
- Open circuit, short circuit, over load and over temperature protection
- Auto restart after fault removal
- 5.5 mm x 2.1 mm barrel jack socket on output housing
- Additional output cables, splitters and terminal blocks available
- 79" plug-in 2-pin power cord
- 2-Pin convenience outlet in housing allows connection of additional 2-pin drivers
- Up to 14 drivers maximum interconnected

Part Numbers

Description	Code No.
30 Watt Daisy Driver	PS24V/30/S/D
24 V Switch Cable - Molex Plug - 48 W	PS24V/SWITCH
24 V Switch Cable - Barrel Plug - 96 W	PS24V/SWITCH/DC
24 V Splitter - 2 Way	PS24V/YCABLE/S
24 V Splitter - 4 Way	PS24V/4WAY/DC
Terminal Block w/ Barrel Jack	PS24V/TB/DC/S
24 V Connecting Cable	PS24V/CC36/DC
24 V Connecting Cable	PS24V/CC48/DC
24 V Connecting Cable	PS24V/CC96/DC
24 V Connecting Cable	PS24V/CC72/DC