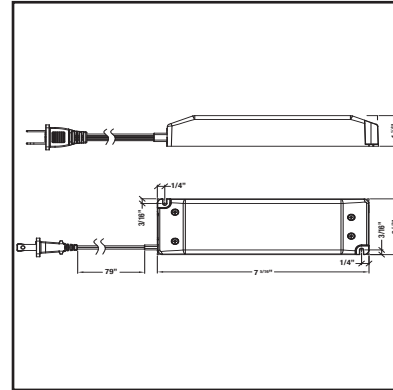


**NEW**

# daisy<sup>®</sup> Driver, 75 W

Constant Voltage 24 V



## 24 VDC Electronic daisy Driver

Constant voltage electronic driver for up to 75 W of LEDs. Now with integrated connector to allow for easy daisy-chaining. Interconnect up to a max of 8 drivers.

### Product-Features

- Input: 100 - 120 VAC, 50/60 HZ, 1.0 A
- Output: 24 VDC, 3.125 A max. SELV/UL8750 Class 2, CAN/CSA C22.2 No. 250.13
- Load: 6 - 75 W, 24 VDC LED
- Power Factor:  $\geq 0.9 \lambda$
- Ambient operating temperature:  $-20^{\circ} \text{C} \sim 45^{\circ} \text{C}$
- Non-dimmable input, output dimming accessories available
- Open circuit, short circuit, over load and over temperature protection
- Auto restart after fault removal
- 5.5 mm x 2.1 mm barrel jack socket on output housing
- Additional output cables, splitters and terminal blocks available
- 79" plug-in 2-pin power cord
- 2-Pin convenience outlet in housing allows connection of additional 2-pin drivers
- Up to 8 drivers maximum interconnected

### Part Numbers

Description	Code No.
75 Watt Daisy Driver	PS24V/75/S/D
24 V Switch Cable - Molex Plug - 48 W	PS24V/SWITCH
24 V Switch Cable - Barrel Plug - 96 W	PS24V/SWITCH/DC
24 V Splitter - 2 Way	PS24V/YCABLE/S
24 V Splitter - 4 Way	PS24V/4WAY/DC
Terminal Block w/ Barrel Jack	PS24V/TB/DC/S
24 V Connecting Cable	PS24V/CC36/DC
24 V Connecting Cable	PS24V/CC48/DC
24 V Connecting Cable	PS24V/CC96/DC
24 V Connecting Cable	PS24V/CC72/DC