

# ELite-LED XL

NEW

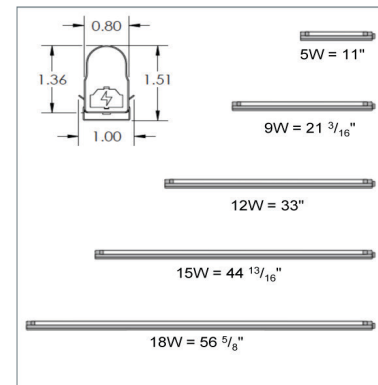


## The Most Cost Effective Way to Upgrade from Fluorescent to LED

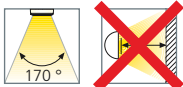
The new ELite-LED XL is the perfect solution for an easy upgrade to LED from our fluorescent Slimlite XL. This product uses the same connecting and power cables as our SlimLite XL T4 and T5 allowing for an easy retrofit. The ELite-LED XL uses half the energy of T5 fluorescents with the same brightness and more than twice the lifetime.

### Product-Features

- 120 Vac LED with integrated electronic driver
- Available in five different sizes: 1' (5 W), 2' (9 W), 3' (12 W), 4' (15 W), 5' (18 W)
- Available from 2700 K to 6500 K by special order
- Finish: White housing with white frosted lens
- 50,000 hours useable life
- Good CRI > 80
- Efficacy: 77-90 lm/W
- Fixtures can interconnect with direct connectors or accessory cables
- Optional hardwire adapter box available
- Magnetic mounting clips available
- EPH certified to NSF/ANSI 2 for use in food zones



Fixture	Watts	Max Interconnected
EL/LED/12	5 W	100
EL/LED/22	9 W	55
EL/LED/34	12 W	41
EL/LED/46	15 W	33
EL/LED/59	18 W	27





## What you'll need to buy

### Light Fixtures

Length	Watt	Lumens	Code No. 3000 K	Code No. 4100 K
1'	5 W	418	EL/LED/12/3000/XL	EL/LED/12/4000/XL
2'	9 W	793	EL/LED/22/3000/XL	EL/LED/22/4000/XL
3'	12 W	925	EL/LED/34/3000/XL	EL/LED/34/4000/XL
4'	15 W	1374	EL/LED/46/3000/XL	EL/LED/46/4000/XL
5'	18 W	1455	EL/LED/59/3000/XL	EL/LED/59/4000/XL

### Accessories

	Description	Code No.
Power Cord*	6' long	SPC/XL
	6' with roller switch	SPC/S/XL
Connecting Cables	6" long	SCC6/XL
	1' long	SCC12/XL
	2' long	SCC24/XL
	4' long	SCC48/XL
	6' long	SCC72/XL
	10' long	SCC120/XL
Direct Connector		SDC/XL
Hardwire Box		SHWC/XL
	with switch	SHWC/S/XL
On/OFF Rocker Switch		SRS/XL

\*Note: Power cords and connecting cables are also available with 90° or straight connectors and in various lengths