

ER1/ES1



Economically Priced Recessed Or Surface Mounted Halogen Spotlight

Accent lighting for vanities, displays, furniture, kitchen cabinets or boats.

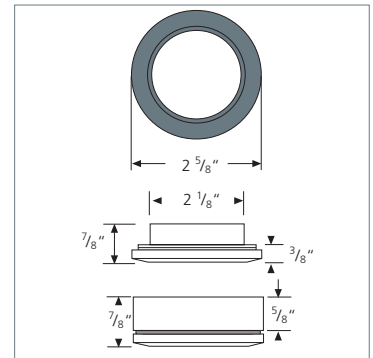
Product-Features

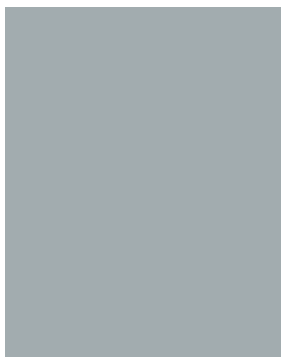
ER1

- Recess depth only $\frac{5}{8}$ "
- Aluminum reflector
- Screw on decor-ring
- Friction fit
- Easy to relamp
- 12 V/10 or 20 W bulb included
- Attached 79" connecting cable with NV6 plug
- Available in white, black, chrome, stainless steel and gold

ES1

- Same as ER1 but surface mounted
- Overall height only $\frac{7}{8}$ "
- Available in complete kits of 2, 3 or 5 lights





What you'll need to buy

Spotlights

ER1

Recessed, 20 W

Finish	Code No.
White	ER120WH
Black	ER120BL
Chrome	ER120CH
Gold	ER120GO
Stainless Steel	ER120SS

ES1

Surface mounted, 20 W

Finish	Code No.
White	ES120WH
Black	ES120BL
Chrome	ES120CH
Gold	ES120GO
Stainless Steel	ES120SS

Transformers

Description	Code No.
Premium 120 Watt	UK-120TW

Optional Accessories

Description	
20" Connecting Cable	2NV6500
39" Connecting Cable	2NV61000
79" Connecting Cable	2NV62000
119" Connecting Cable	2NV63000
Terminal Block	NVK64

ES1 2 Light Sets, 20 W

Finish	Code No.
White	C/SET1ES120WH
Black	C/SET1ES120BL
Chrome	C/SET1ES120CH
Gold	C/SET1ES120GO
Stainless Steel	C/SET1ES120SS

ES1 3 Light Sets, 20 W

Finish	Code No.
White	C/SET2ES120WH
Black	C/SET2ES120BL
Chrome	C/SET2ES120CH
Gold	C/SET2ES120GO
Stainless Steel	C/SET2ES120SS

ES1 5 Light Sets, 20 W

Finish	Code No.
White	C/SET3ES120WH
Black	C/SET3ES120BL
Chrome	C/SET3ES120CH
Gold	C/SET3ES120GO
Stainless Steel	C/SET3ES120SS

These sets include UE-E60FT transformers, connecting cables and all hardware to make the installation easy