

FR68-LED

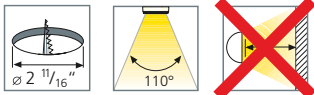
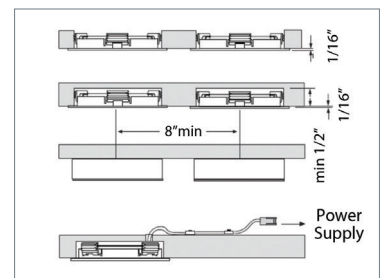
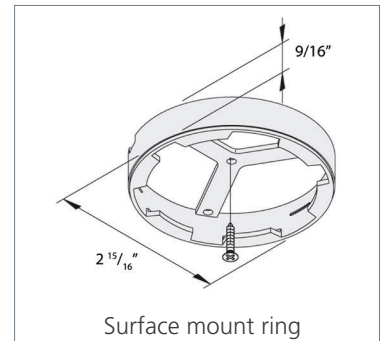
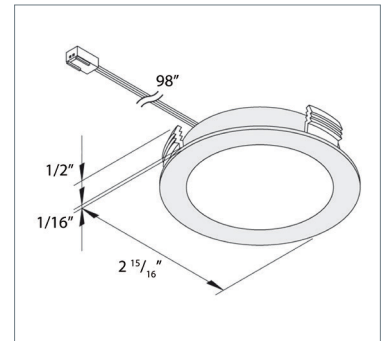


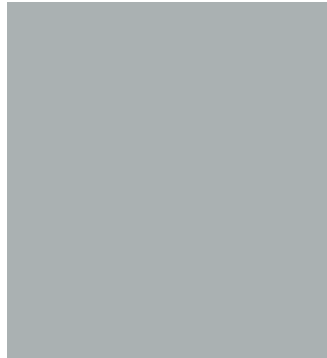
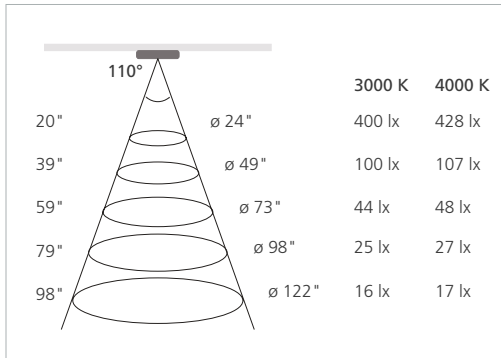
Flat, Recessed LED Spotlight with Frosted Lens

The FR68-LED is a LED spotlight with a frosted lens that helps reduce glare. The lens also eliminates diode dots for a sleeker look if the spotlight is mounted slightly above eye level.

Product-Features

- Energy efficient using only 4 W
- Stocked in 3000 K and 4000 K
- Available from 2700 K to 6500 K by special order
- Stainless Steel or Matte Chrome finish
- 50,000 hours useable life
- Efficacy: 60 lm/W
- Excellent CRI > 85
- Attached 98" connecting cable with plug-in connector
- To be used with 24 Vdc Constant Voltage Driver
- Surface mount ring available separately
- Dimmable with optional accessories





What you'll need to buy

Spotlights

3000 K

Finish	Lumens	Code No.
Stainless Steel	240	FR68/SS/3000
Matte Chrome	240	FR68/MC/3000

4000 K

Finish	Lumens	Code No.
Stainless Steel	240	FR68/SS/4000
Matte Chrome	240	FR68/MC/4000

LED Constant Voltage Drivers (see page 54)

Description	Code No.
Constant Voltage Driver 6 Watt	PS24V/06/S
Constant Voltage Driver 30 Watt	PS24V/30/S
Constant Voltage Driver 75 Watt	PS24V/75/S
Constant Voltage Driver 96 Watt	PS24V/96/DIM/S

Cables and Connectors

Description	Code No.
Power Cable Extension 39"	KB12LEDCC39
Power Cable Extension 98"	KB12LEDCC98
Terminal Block	STICKTB

Optional Accessories (see page 57-59)

Description	Code No.
Surface Mount Ring, Stainless Steel	DIR68/SS
Surface Mount Ring, Matte Chrome	DIR68/MC
Dimmer	STICKPSDIM/S
Dimmer Controller	DIMCONTROL/S
Motion-Activated Infrared Switch	IRSWITCH
Remote Control Dimmer	RCPSDIM
Rocker Switch	SWITCH/PS24