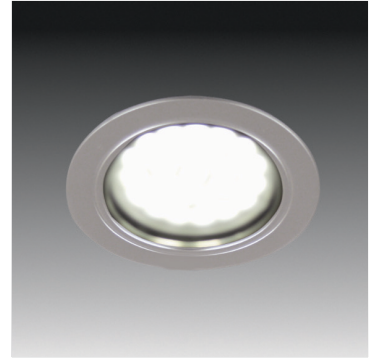
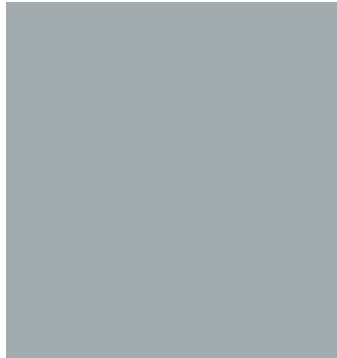


KB12-LED/KBS12-LED

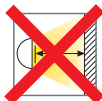
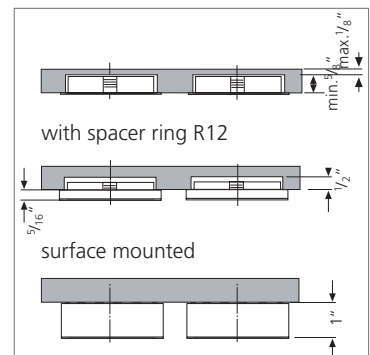
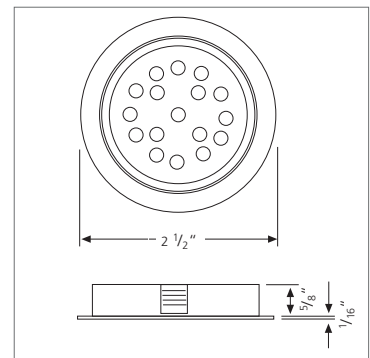


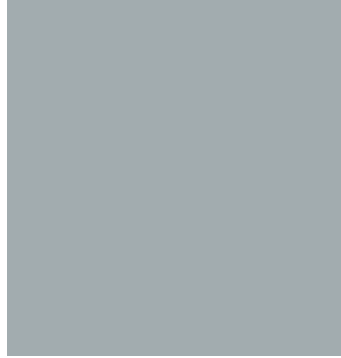
High Quality LED Spotlight At A Mid Level Price

The KB12-LED is a German made LED spotlight, available at a very attractive price. It features the latest generation SMD LEDs which provide a high and even light output while using only 1.6 W of energy. The KB12-LED can be surface and recessed mounted and is perfect for kitchen cabinets, furniture and closet applications.

Product-Features

- Only 1.6 W power consumption
- Recess depth only $\frac{5}{8}$ " or $\frac{1}{2}$ " (with spacer ring R12)
- When surface mounted, overall height 1"
- Stocked in 3000 K and 4100 K
- Available from 2700 K to 6500 K by special order
- Finishes: White, Black, Chrome, Stainless Steel and Gold
- 50,000 hours useable life
- Attached 98" connecting cable with plug-in connector
- Special accessories available:
 - R12 – Spacer ring to reduce recess depth
- Additional LED connecting cables are available in 39" and 98"
- To be used with 24 Vdc Constant Voltage Driver
- Dimmable with available accessories





What you'll need to buy

Spotlights

KB12-LED

Recessed, 3000 K

Finish	Lumens	Code No.
White	78	KB12LEDWH/WW
Black	78	KB12LEDBL/WW
Chrome	78	KB12LEDCH/WW
Gold	78	KB12LEDGO/WW
Stainless Steel	78	KB12LEDSS/WW

KBS12-LED

Surface mounted, 3000 K

Finish	Code No.
White	KBS12LEDWH/WW
Black	KBS12LEDBL/WW
Gold	KBS12LEDGO/WW
Stainless Steel	KBS12LEDSS/WW

LED Power Supply (see page 54)

Description	Code No.
Constant Voltage Driver 6 W	PS24V/06/S
Constant Voltage Driver 30 W	PS24V/30/S
Constant Voltage Driver 75 W	PS24V/75/S
Constant Voltage Driver 75 W	PS24V/96/DIM/S
Power Cable extension 39"	KB12LEDCC39
Power Cable extension 98"	KB12LEDCC98

Recessed, 4100 K

Finish	Lumens	Code No.
White	104	KB12LEDWH/CW
Black	104	KB12LEDBL/CW
Chrome	104	KB12LEDCH/CW
Gold	104	KB12LEDGO/CW
Stainless Steel	104	KB12LEDSS/CW

Surface mounted, 4100 K

Finish	Code No.
White	KBS12LEDWH/CW
Black	KBS12LEDBL/CW
Gold	KBS12LEDGO/CW
Stainless Steel	KBS12LEDSS/CW

Optional Accessories (see pages 57-59)

Description	Code No.
Dimmer	STICKPSDIM/S
Dimmer Controller	DIMCONTROL/S
Distributor Cable	STICKDIM/YCABLE
Motion-Activated Infrared Switch	IRSWITCH
Remote Control Dimmer	RCPSDIM
Terminal Block	STICKTB
Rocker Switch	SWITCH/PS24