

# R68-LED

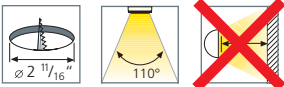
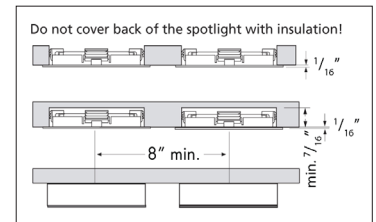
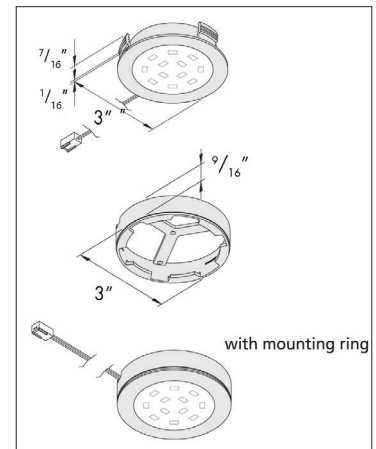


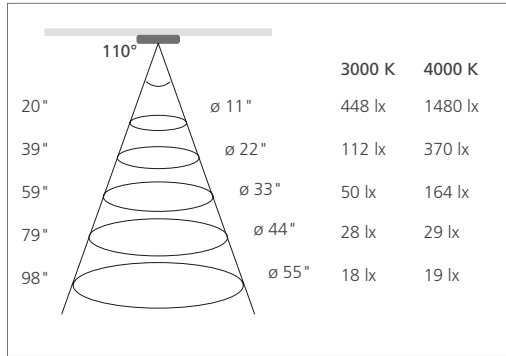
## Low Profile, Recessed LED Spotlight With High Light Output

The R68-LED is the perfect replacement and improvement for the ARF-LED. The R68-LED uses the latest developments in LED technology with a higher light output and at a lower price than the ARF-LED. The R68-LED has a luminous efficacy of 55 lm/W.

### Product-Features

- Energy efficient using only 4 W
- Stocked in 3000 K and 4000 K
- Available from 2700 K to 6500 K by special order
- Finishes available: Stainless Steel, Matte Chrome, Black and White
- 50,000 hours useable life
- Excellent CRI>90
- Attached 98" connecting cable with plug-in connector
- To be used with 24 Vdc Constant Voltage Driver
- Dimmable with available accessories
- Surface mounting ring available separately





## What you'll need to buy

### Spotlights

#### R68-LED

##### 3000 K

Finish	Lumens	Code No.
Stainless Steel	240	R68-LED/SS/WW
Matte Chrome	240	R68-LED/CH/WW
Black	240	R68-LED/BL/WW
White	240	R68-LED/WH/WW

##### 4000 K

Finish	Lumens	Code No.
Stainless Steel	240	R68-LED/SS/CW
Matte Chrome	240	R68-LED/CH/CW
Black	240	R68-LED/BL/CW
White	240	R68-LED/WH/CW

### LED Constant Voltage Drivers (see page 54)

Description	Code No.
6 Watt	PS24V/06/S
30 Watt	PS24V/30/S
75 Watt	PS24V/75/S
96 Watt	PS24V/96/DIM/S

### Optional Accessories (see pages 57-59)

Description	Code No.
Dimmer	STICKPSDIM/S
Dimmer Controller	DIMCONTROL/S
Distributor Cable	STICKDIM/YCABLE
Motion-Activated Infrared Switch	IRSWITCH
Remote Control Dimmer	RCPSDIM
Rocker Switch	SWITCH/PS24

### Cables and Connectors

Description	Code No.
Power Cable Extension 39"	KB12LEDCC39
Power Cable Extension 98"	KB12LEDCC98
Terminal Block	STICKTB