

# Tape-LED

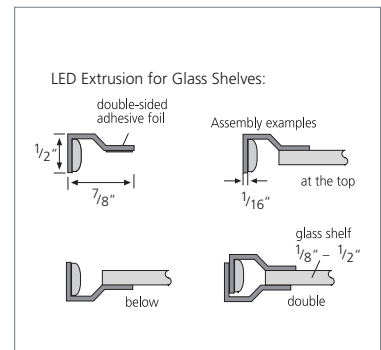
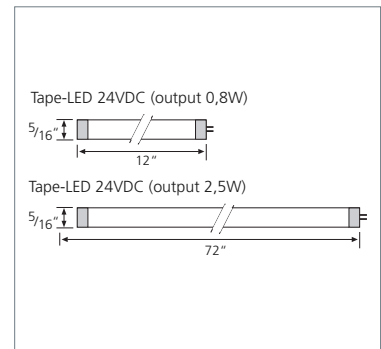


## Cost Effective, Flexible LED Strips

Tape-LED can be used as accent lighting for displays, furniture, kitchen cabinets, shelving and even closet applications. The Tape-LED has a silicone cover over the diodes allowing for more durability while illuminating without heating, ideal for delicate products and artwork. The flexible mounting allows installation in and around most angles.

## Product-Features

- Self adhering, flexible LED strip, 0.8 W/ft
- Stocked in 3000 K and 4100 K
- Available from 2700 K to 6500 K by special order
- Finish: white tape with clear silicone cover
- 30,000 hours useable life
- Excellent CRI > 90
- Approved for use in closet applications
- Maximum 16' interconnected strips per power cable
- Can connect up to:
  - 93' - 75 W driver
  - 37' - 30 W driver
  - 7' - 6 W driver
- Quick and easy installation, can be shortened in 6" increments for custom fit
- Additional LED connecting cables are available in 2" and 20"
- To be used with 24 Vdc Constant Voltage Driver
- Dimmable with available accessories





## What you'll need to buy

### Light Fixtures

#### 3000 K

| Length | Lumens | Code No.   |
|--------|--------|------------|
| 12"    | 44     | TAPELED/WW |

#### 4100 K

| Length | Lumens | Code No.   |
|--------|--------|------------|
| 12"    | 44     | TAPELED/CW |

### LED Constant Voltage Drivers (see page 54)

| Description                     | Code No.       |
|---------------------------------|----------------|
| Constant Voltage Driver 6 Watt  | PS24V/06/S     |
| Constant Voltage Driver 30 Watt | PS24V/30/S     |
| Constant Voltage Driver 75 Watt | PS24V/75/S     |
| Constant Voltage Driver 96 Watt | PS24V/96/DIM/S |

### Cables and Connectors

| Description              | Code No.    |
|--------------------------|-------------|
| 98" Power Cord           | TAPELEDPC   |
| Connecting Cable 2"      | TAPELEDCC2  |
| Connecting Cable 20"     | TAPELEDCC20 |
| Power Cord Extension 39" | KB12LEDCC39 |
| Power Cord Extension 98" | KB12LEDCC98 |
| Terminal Block           | STICKTB     |

### Optional Accessories (see pages 57-59)

| Description               | Code No.        |
|---------------------------|-----------------|
| Dimmer                    | STICKPSDIM/S    |
| Dimmer Controller         | DIMCONTROL/S    |
| Dimming Distributor Cable | STICKDIM/YCABLE |
| Low Voltage Switch        | IRSWITCH        |
| Remote Control Dimmer     | RCPSDIM         |
| Shelf Extrusion           | TAPE/EXT        |
| Rocker Switch             | SWITCH/PS24     |