

Track-LED

NEW

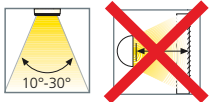


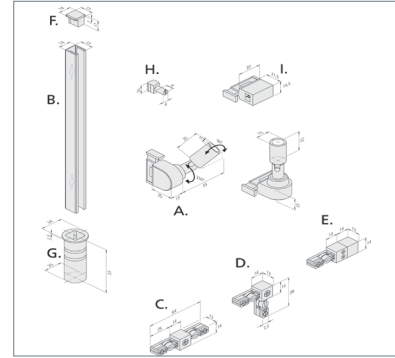
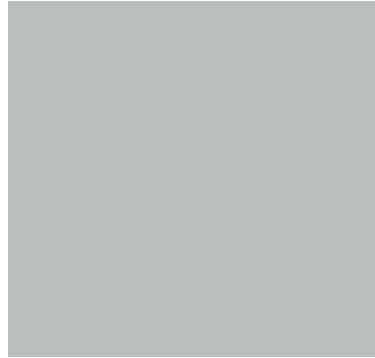
Flexible Track System for Display Cases

This product is a great option for any display case, especially those with glass shelving. The individual spotlights swivel 360° at the base and 90° at the top of the spotlight for perfect illumination of merchandise.

Product-Features

- Track is sold in 3 different sizes: 12", 24" and 39"
- Energy efficient using only 1.5 W per LED Spot
- Available in 4000 K and 5000 K
- Black or Anodized Aluminum finish
- 50,000 hours useable life
- Efficacy: 53 lm/W
- Good CRI >80
- To be used with 24 Vdc Constant Voltage Driver
- Glass shelf divider available
- 360° swivel at the base of spotlight;
- 90° swivel top of spotlight
- 3/4" mounting hole
- Mounting sleeve available for vertical installation of the Track-LED
- Each Live End can support up to 48 Watts
- Adapter available to allow for compatibility with Stick3, Stick2, Twinstick2, StickVE, TapeBasic and some spotlights





What you'll need to buy

Light Fixtures

Description	Code No.
A.) Black, 4000K	TL/SPOT/BL/4000/15
Black, 5000K	TL/SPOT/BL/5000/15
Aluminum, 4000K	TL/SPOT/AL/4000/15
Aluminum, 5000K	TL/SPOT/AL/5000/15
Aluminum, 4000K with 48° lens	TL/SPOT/AL/4000/48
Aluminum, 5000K with 48° lens	TL/SPOT/AL/5000/48
Black, 4000K with 48° lens	TL/SPOT/BL/4000/48
Black, 5000K with 48° lens	TL/SPOT/BL/5000/48

Tracks

Description	Code No.
B.) Track LED 12", Black	TL/TRACK/12/BL
Track LED 12", Anodized Aluminum	TL/TRACK/12/AL
Track LED 24", Black	TL/TRACK/24/BL
Track LED 24", Anodized Aluminum	TL/TRACK/24/AL
Track LED 39", Black	TL/TRACK/39/BL
Track LED 39", Anodized Aluminum	TL/TRACK/39/AL

*Add /S for Track-LED without screw holes

Feeder and Connectors

Description	Code No.
C.) Straight Connector, Black	TL/SC/BL
Straight Connector, Aluminum	TL/SC/AL
D.) L Connector, Black	TL/LC/BL
L Connector, Aluminum	TL/LC/AL
E.) Live End, Black	TL/LE/BL
Live End, Aluminum	TL/LE/AL
F.) End Cap, Black	TL/EC/BL
End Cap, Aluminum	TL/EC/AL
G.) Mounting Sleeve, Black	TL/MS/BL
Mounting Sleeve, Aluminum	TL/MS/AL
H.) Glass Shelf Holder	TL/GSH
I.) Adapter, Black	TL/MTA/BL
Adapter, Aluminum	TL/MTA/AL

LED Constant Voltage Drivers (see page 54)

Description	Code No.
6 Watt	PS24V/06/S
30 Watt	PS24V/30/S
75 Watt	PS24V/75/S
96 Watt	PS24V/96/DIM/S