

# TwinStick2-LED

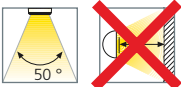
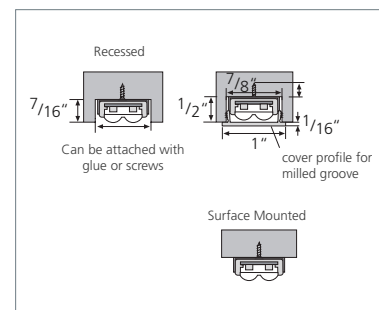
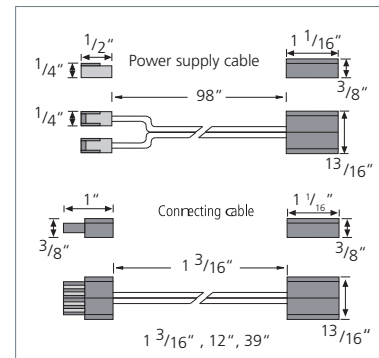
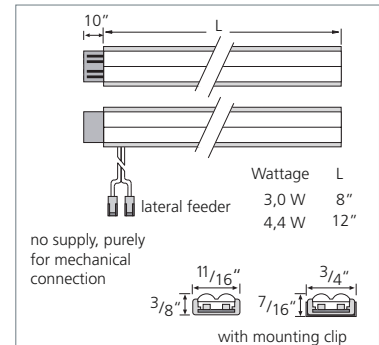


## High Light Output LED Light With Integrated Connecting System

Hera's TwinStick2-LED has an extremely high light output, similar to T5 fluorescent light fixtures. Low energy consumption, excellent color rendering and virtually no maintenance (lifetime 50,000 hours) are additional benefits. TwinStick2-LEDs are also UL EPH listed (NSF) for food applications.

### Product-Features

- Aluminum and plexiglas housing
- Extremely small dimensions: width:  $1\frac{1}{16}$ " , height:  $\frac{5}{16}$ "
- Light fixture can be recessed (flush with board) or surface mounted
- Available in two different sizes: 8" (3.0 W) and 12" (4.4 W)
- Stocked in 3000 K and 4100 K
- Available from 2700 K to 6500 K by special order
- 50,000 hours useable life
- Excellent CRI  $\geq 90$
- Extremely high, even light output
- EPH certified to NSF/ANSI 2 for use in food zones
- Approved for use in closet applications
- For unlimited runs order one Feed-In Twinstick for every 8'
- LED connecting cables are available in  $1\frac{3}{16}$ " , 12" and 39" lengths
- Power supply cable 98" to be ordered separately
- To be used with 24 Vdc Constant Voltage Driver
- Dimmable with optional accessories





## What you'll need to buy

### Light Fixtures

#### 3000 K

Length	Lumens	Code No.
8"	122	TWINSTICK2/8/WW
12"	204	TWINSTICK2/12/WW
12" Feed-In Stick		TWINSTICK2/WPC/ WW

#### 4100 K

Length	Lumens	Code No.
8"	133	TWINSTICK2/8/CW
12"	202	TWINSTICK2/12/CW
12" Feed-In Stick		TWINSTICK2/WPC/CW

### LED Constant Voltage Drivers (see page 54)

Description	Code No.
6 Watt	PS24V/06/S
30 Watt	PS24V/30/S
75 Watt	PS24V/75/S
96 Watt	PS24V/96/DIM/S

### Optional Accessories (see pages 57-59)

Description	Code No.
Dimmer	STICKPSDIM/S
Dimmer Controller	DIMCONTROL/S
Distributor Cable	STICKDIM/YCABLE
Motion-Activated Infrared Switch	IRSWITCH
Remote Control Dimmer	RCPSDIM
Cover Profile	STICK2/CP39
Mounting Clip Set	TWINSTICK2/MC/SET
Rocker Switch	SWITCH/PS24

### Cables and Connectors

Description	Code No.
Power Cord 98"	TWINSTICK2/PC
Connecting Cable 1"	TWINSTICK2/CC1
Connecting Cable 12"	TWINSTICK2/CC12
Connecting Cable 39"	TWINSTICK2/CC39
Power Cord Extension 39"	KB12LEDCC39
Power Cord Extension 98"	KB12LEDCC98
Terminal Block	STICKTB