

# Eye-LED

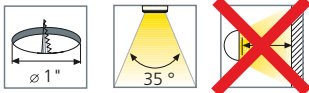
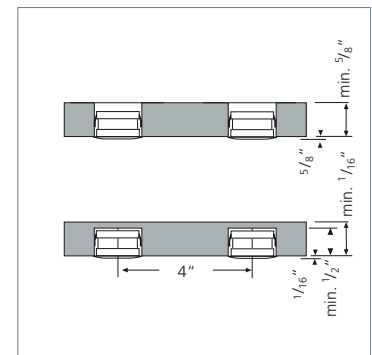
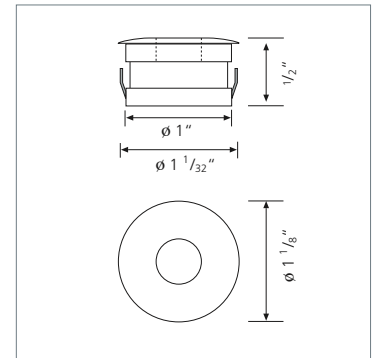


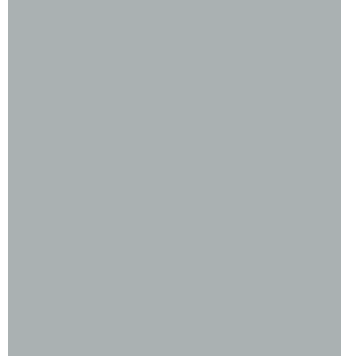
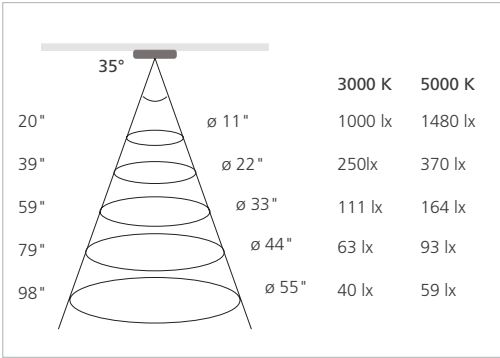
## Miniature LED Spotlight

The Eye-LED is the perfect lighting solution for all applications where minimal installation dimensions are essential. It fits into a 1" diameter x 1/2" depth inattallation opening.

## Product-Features

- Energy efficient using only 1 W
- Extremely small dimensions: recess depth 1/2", recess diameter 1"
- Efficacy: 69-105 lm/W
- Warm White CRI > 90, Cool White CRI >80
- Stocked in 3000 K and 5000 K
- Available from 2700 K to 6500 K by special order
- Stainless Steel or Brushed Aluminum finish
- Approved for use in closet applications
- 51" connecting cable with plug-in connector attached
- Additional LED connecting cables are available in 36" and 72"
- To be used with 350 mA Constant Current Driver
- Dimmable with available accessories





## What you'll need to buy

### Spotlights

#### 3000 K

Finish	Lumens	Code No.
Stainless Steel	69	EYELEDSS/MW
Aluminum	69	EYELEDA/WW

#### 5000 K

Finish	Lumens	Code No.
Stainless Steel	94	EYELEDSS/CW
Aluminum	94	EYELEDA/CW

### LED Constant Current Drivers (see pages 55-56)

Description	Code No.
Constant Current Driver 10 Watt	PSLED/10
Dimmable Constant Current Driver 18 Watt	PSLED/DIM/S
LED Dimmer Controller	DIMCONTROL

### Cables and Connectors

Description	Code No.
Connecting Cable 36"	LEDCC36
Connecting Cable 72"	LEDCC72
Terminal Block	TBLED/B