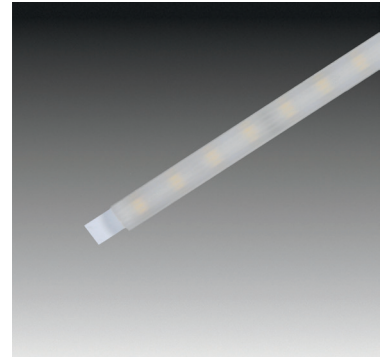


StickVE-LED

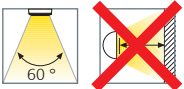
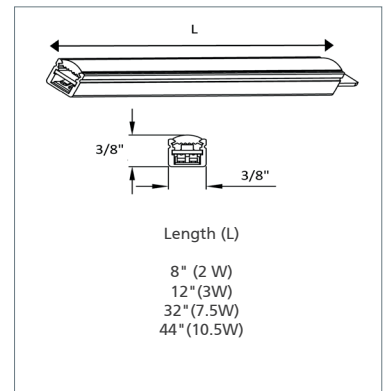


Value Engineered Miniature Linear LED Light With Integrated Connecting System

StickVE-LED is a value engineered version of our Stick2-LED. These ultra compact strips of LED lighting have a high and even light output with no dark spots at the connecting point. Enjoy the benefits of LED technology such as lower energy consumption and a long lifetime at a lower price. The StickVE-LED is also UL EPH (NSF) approved for use in food applications.

Product-Features

- Aluminum and plexiglas housing
- Extremely small dimensions: width: $\frac{3}{8}$ " , height: $\frac{5}{16}$ "
- Light fixture can be recessed (flush with board) or surface mounted
- Available in four sizes: 8" (2 W), 12" (3 W), 32" (7.5 W) and 44" (10.5 W)
- Stocked in 3000 K and 4100 K
- Available from 2700 K to 6500 K by special order
- 50,000 hours usable life
- Good CRI > 80
- Extremely high, even light output
- EPH certified to NSF/ANSI 2 for use in food zones
- Integrated magnets for installation to metal shelves
- LED connecting cables are available in 4", 12", 17", 21", 23" and 39"
- 98" Power supply cable to be ordered separately
- To be used with 24 Vdc Constant Voltage Driver
- Dimmable with optional accessories





What you'll need to buy

Light Fixtures

3000 K

| Length | Lumens | Code No. |
|--------|--------|-----------------|
| 8" | 103 | STICKVE/8/WW/M |
| 12" | 155 | STICKVE/12/WW/M |
| 32" | 439 | STICKVE/32/WW/M |
| 44" | 594 | STICKVE/44/WW/M |

4100 K

| Length | Lumens | Code No. |
|--------|--------|-----------------|
| 8" | 117 | STICKVE/8/CW/M |
| 12" | 175 | STICKVE/12/CW/M |
| 32" | 497 | STICKVE/32/CW/M |
| 44" | 672 | STICKVE/44/CW/M |

LED Constant Voltage Drivers (page 48-52)

| Description | Code No. |
|----------------------|------------------|
| 6 Watt | PS24V/06/S |
| 30 Watt Daisy Driver | PS24V/30/S/D |
| 75 Watt Daisy Driver | PS24V/75/S/D |
| 96 Watt Daisy Driver | PS24V/96/DIM/S/D |

Cables and Connectors

| Description | Code No. |
|--------------------------|---------------|
| Power Cord 98" | STICKVE/PC |
| Power Cord 17" | STICKVE/PC/17 |
| Connecting Cable 4" | STICKVE/CC4 |
| Connecting Cable 12" | STICKVE/CC12 |
| Connecting Cable 17" | STICKVE/CC17 |
| Connecting Cable 21" | STICKVE/CC21 |
| Connecting Cable 23" | STICKVE/CC23 |
| Connecting Cable 39" | STICKVE/CC39 |
| Power Cord Extension 39" | KB12LEDCC39/H |
| Power Cord Extension 98" | KB12LEDCC98/H |
| Terminal Block | PS24V/TB |

Optional Accessories (pages 54-55)

| Description | Code No. |
|-----------------------|-----------------|
| Dimmer | STICKPSDIM/S |
| Dimmer Controller | DIMCONTROL/S |
| Distributor Cable | STICKDIM/YCABLE |
| Remote Control Dimmer | RCPSDIM |
| Cover Profile | STICK2/CP/39 |
| Rocker Switch | PS24/SWITCH |